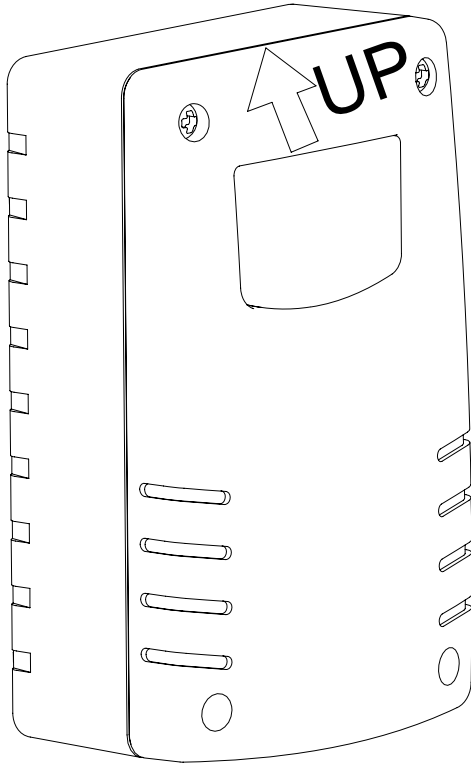


# SUNSET SWITCH

## WITH ADJUSTABLE TIMER

### MODEL: EPSSTB



#### TECHNICAL DATA

- OPERATING VOLTAGE: 230VAC 50Hz
- 1300W/230VAC FOR RESISTANCE LOAD
- LUX SETTING RANGE: ABOUT 5 – 300 LUX ADJUSTABLE
- TIMER SETTING RANGE: FROM ABOUT 10MINUTES AND 1 HOURS TO 8 HOURS ADJUSTABLE OR RUN DUSK TO DAWN ONLY
- SWITCHING STATUS INDICATE: RED LED ON/OFF
- SWITCHING DELAY APPROX.: ON 60 SECONDS / OFF 60 SECONDS AFTER LED ON OR OFF
- ENVIRONMENTAL PROTECTION: IP44
- PROTECTED CLASS: II
- OPERATING TEMPERATURE RANGE: -30°C -- +50°C
- DIMENSIONS: 118(L) X 69(W) X 40(H) mm

The electronic sunset switch is an automatic on/off switch for incandescent lamps. When the light fades in the evening, the Lighting will switch on after the set light intensity is reached. The Lighting will switch off at the preset time or in the morning.

#### INSTALLATION

**Before installing always switch off the power supply at the mains. Install in accordance with I.E.C. Wiring Regulations. If in doubt, we recommend you consult a qualified electrician.**

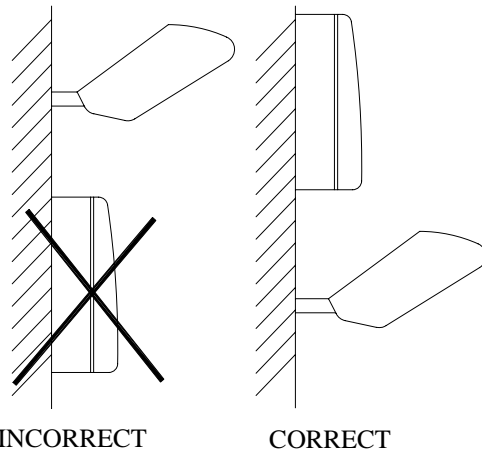
##### 1.PLACING

■ Ensure install the unit according to the indicator of symbol direction on cover (↑ UP)

■ The best position to install the unit is on an outside wall facing : NORTH—EAST

■ Please ensure that the Lighting operated by the unit, does not illuminate toward the PHOTOCCELL windows.

NOTE: The installation must not allow artificial light to active the SUNSET SWITCH as Lighting may blink ON and OFF



##### 2. MOUNTING:

Mount the bottom case on the wall and connect the cable as shown in Figure B. **Please note that ensure the cable drill through the rubber gasket.** The bottom case can be mounted with two enclosed screws ② (see Figure A).

#### OPERATION

■ While the power is on, the lamp (LOAD) will be flash three times and then off.

■ The LED will flash to display the preset times as following:

- 1) within 1 hour (include 1 hour): flash one times
- 2) between 1 hour and 2 hours (include 2 hours): flash two times
- 3) between 2 hour and 3 hours (include 3 hours): flash three times
- 4) between 3 hour and 4 hours (include 4 hours): flash four times
- 5) between 4 hour and 5 hours (include 5 hours): flash five times
- 6) between 5 hour and 6 hours (include 6 hours): flash six times
- 7) between 6 hour and 7 hours (include 7 hours): flash seven times
- 8) between 7 hour and 8 hours (include 8 hours): flash eight times
- 9) more than 8 hours: flash nine times
- 10) dusk to dawn: rapidly flash about 3 seconds

■ You can adjust the TIMER KNOB to select your desired ON time, **please note:** when you set the TIMER Knob to the DUSK TO DAWN position, the sunset switch will change into ordinary function, that is say the sunset switch has not timer function, when the set light intensity reached, the load on and remains until exceeds the set intensity value.

■ Make the adjustment at that time of the day where the daylight has the strength at which you wish the lamp (LOAD) to switch on. Turn the LUX KNOB anticlockwise to minimal LUX ( ☾ ) then turn slowly clockwise until the LED is illuminated.

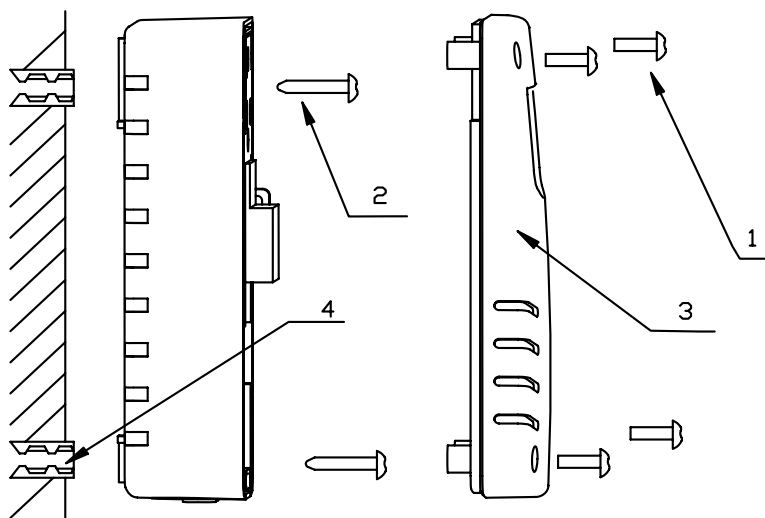
NOTE: The lamp (LOAD) will switch on approx. 60 seconds after the LED has switched on.

■ Please kindly note the following points:

- 1) When lamp is on and the intensity of another light source reaches the light off LUX value, the lamp will switch off after about 60 seconds, but the electronic TIMER will stop counting. After the other light source eliminated, the lamp will switch on again and the electronic TIMER keeps counting until the set time reached.
- 2) During the setting time, the intensity of the environment brightness exceeds the reset LUX value, but, not to last over 10 minutes, the electronic TIMER won't reset and stop counting.
- 3) The electronic TIMER will reset by the following status:
  - a) During the setting time, the intensity of the environment brightness exceeds the reset LUX value and last over 10 minutes, the TIMER will reset. That is say the electronic TIMER will back to starting point and run the whole setting time again.
  - b) Power off over 2 seconds
  - c) Beginning from TIMER start counting, last over 24 hours (includes the time stop counting)

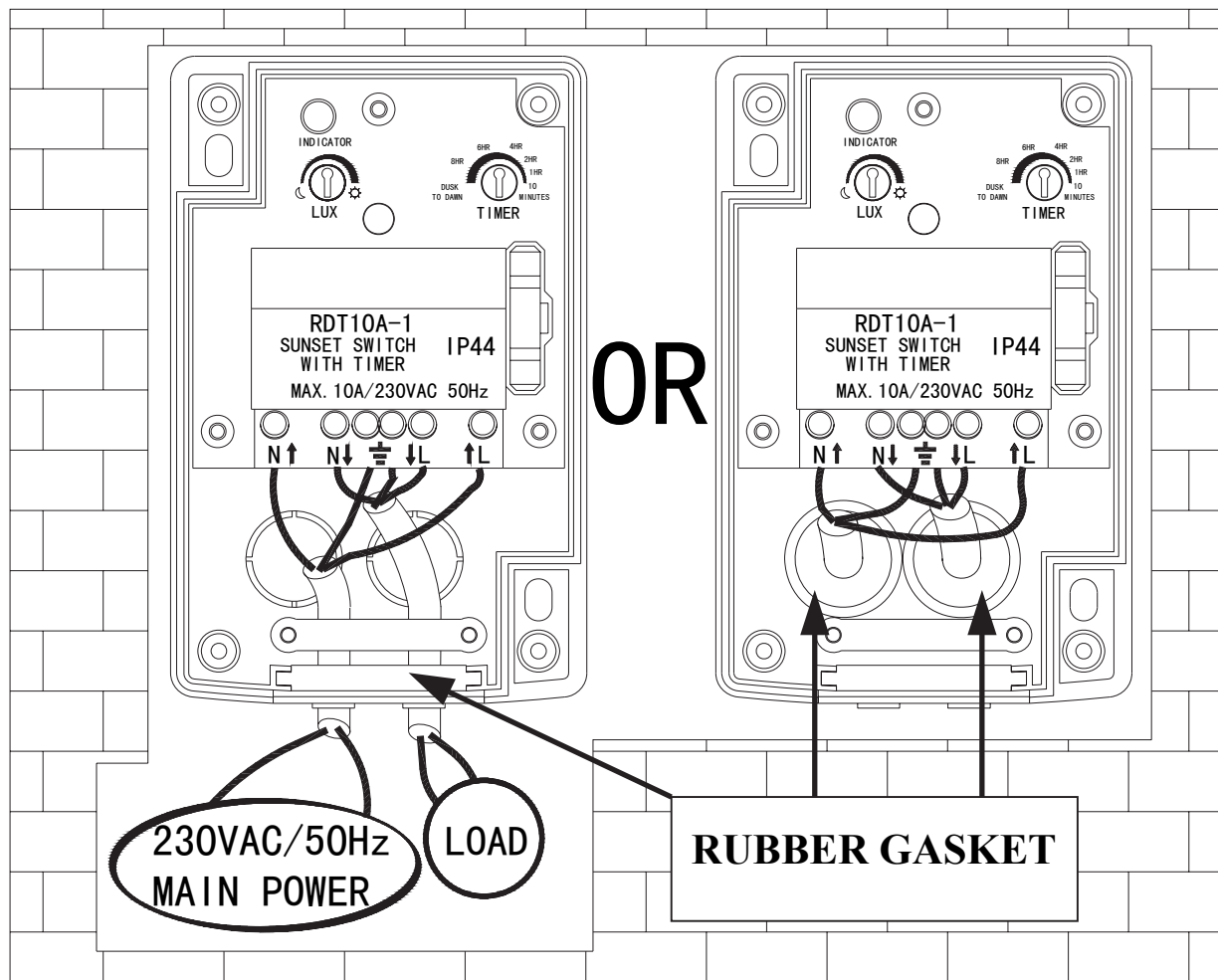
■ LUX ADJUSTMENT RANGE TIP

Place LUX	Light on Value	Light off Value	Timer reset Value
☾ Min.	Approx. 5 Lux	Approx. 25 Lux	Approx. 60 Lux
☀ Max.	Approx. 300 Lux	Approx. 500 Lux	Approx. 800 Lux



**Figure A**

## Wiring Diagram:



**Figure B**

**Neutral – blue or black to terminal N.**

**Line – brown or red to terminal L.**

**Earth – bare or yellow/green to terminal marked ⚡**